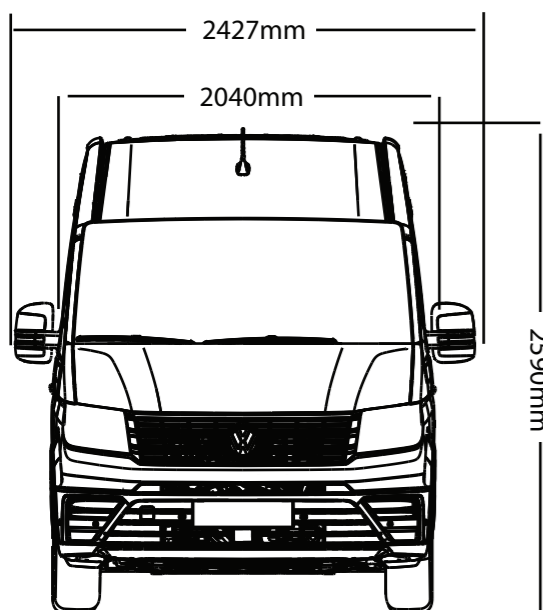


VW CRAFTER

VAN DIMENSIONS

Floor Plan Key

- Bathroom Areas
- Additional Storage
- Beds / Seats
- Worktop Space
- Raised Floor



KEY:

- STANDARD FEATURE
- OPTIONAL FEATURE *

BELTED TRAVEL SEATS:

SEAT & BED WIDTH:

SLEEPING BERTHS:

GAS HOB & SINK:

FITTED SHOWER:

FITTED TOILET:

FRIDGE / FREEZER:

FRESH & WASTE WATER TANK:

INSULATED FLOOR:

FULL 12v LITHIUM SYSTEM:

230v SYSTEM:

DIESEL GLASS HOB:

HOT WATER:

CASSETTE AWNING:

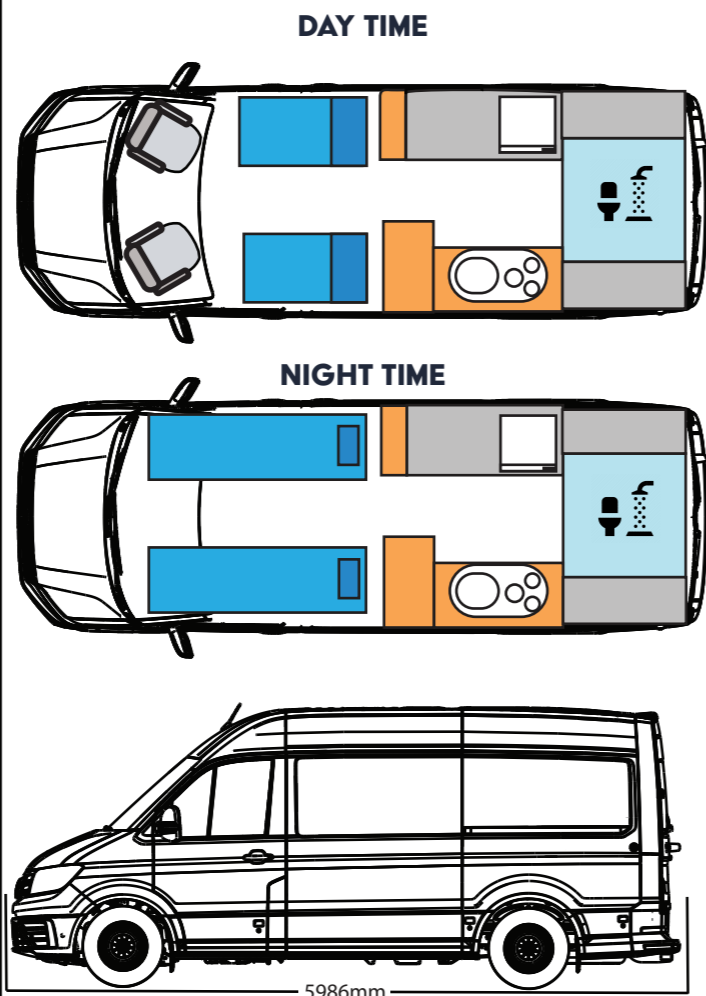
SOLAR PANEL:

ATEC ELEVATING ROOF:

***PLEASE ENQUIRE FOR A MORE COMPREHENSIVE LIST OF OTHER OPTIONAL FEATURES**

MULL

MEDIUM WHEEL BASE



For 4

60cm

Sleeps 2 / 4

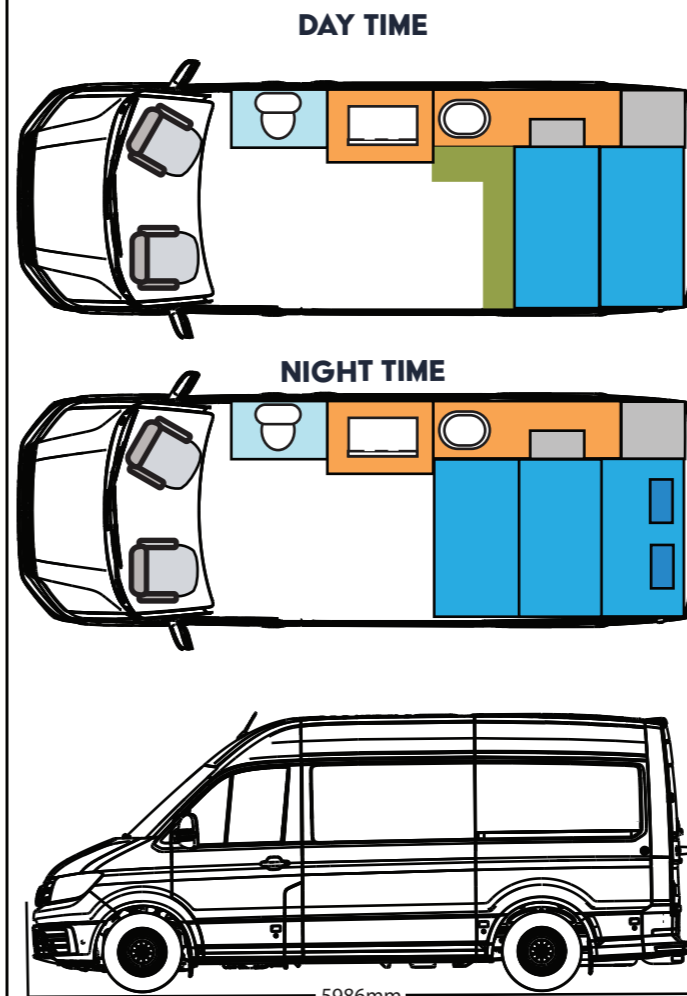


61 Litre



BARRA

MEDIUM WHEEL BASE



For 5

129cm

Sleeps 2 / 4

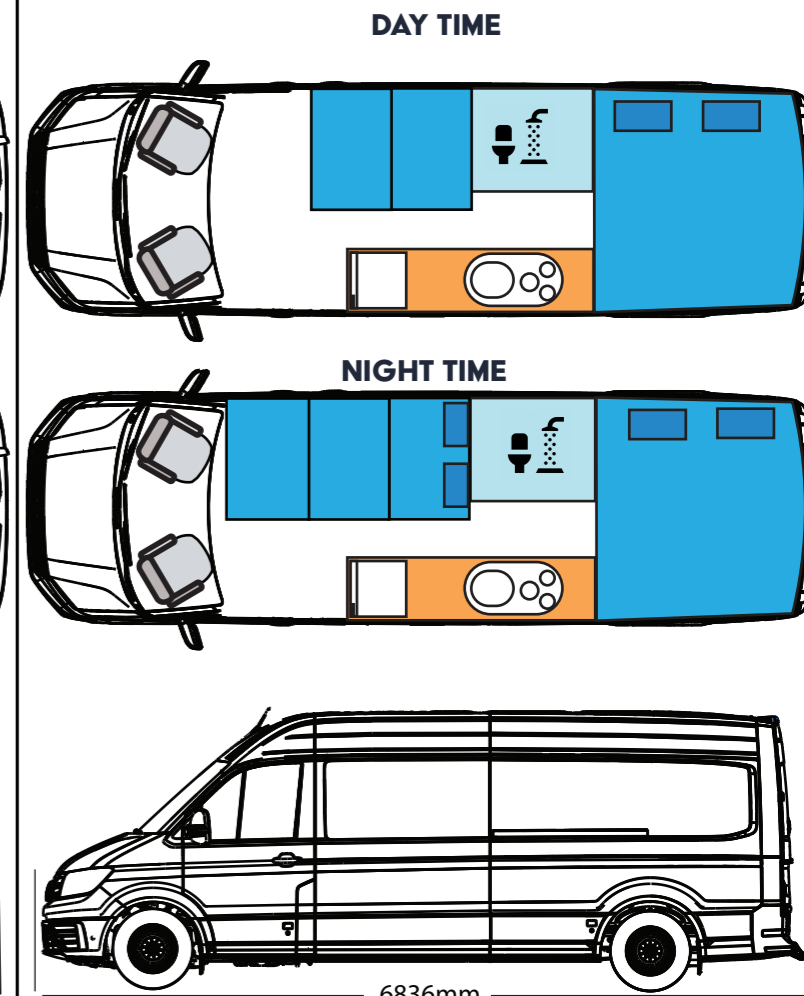


51 Litre



HARRIS

LONG WHEEL BASE



For 4

86cm and standard double

Sleeps 4 / 6



51 Litre

